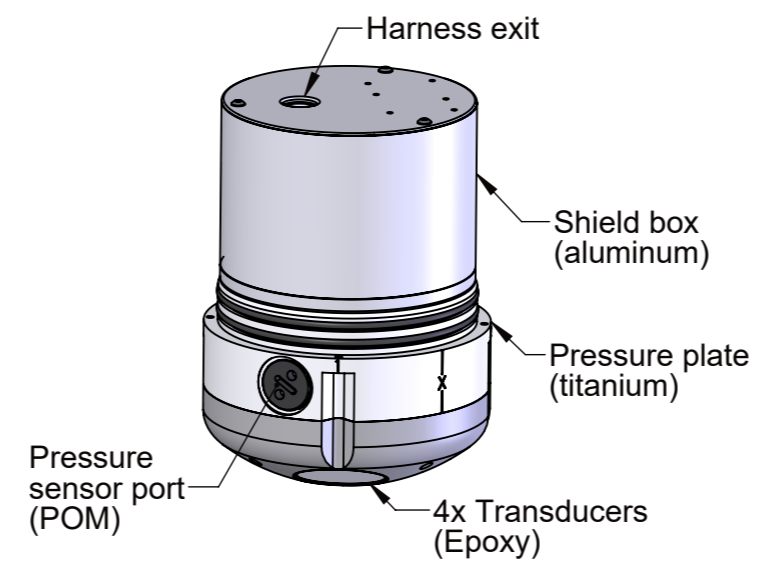
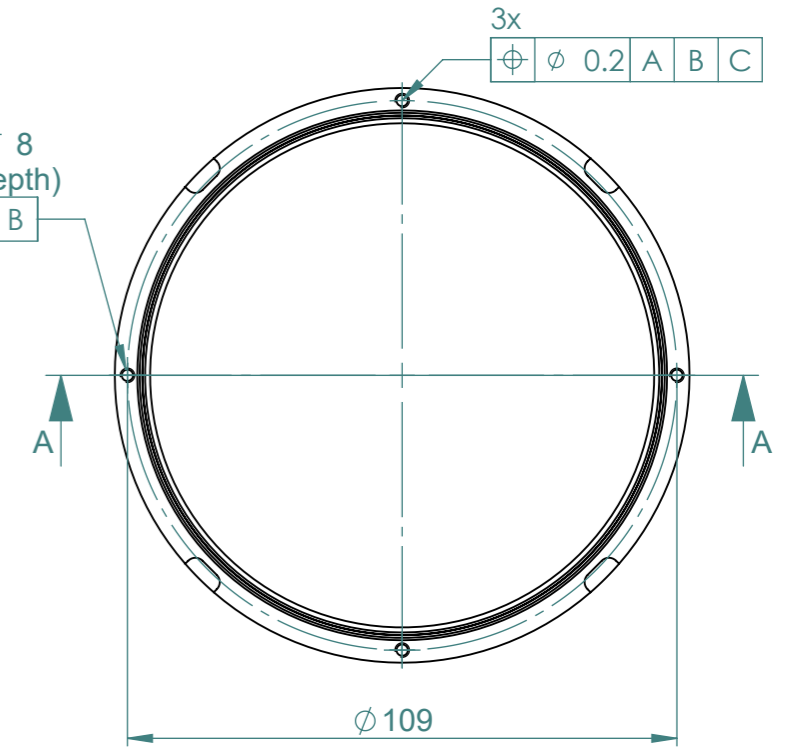
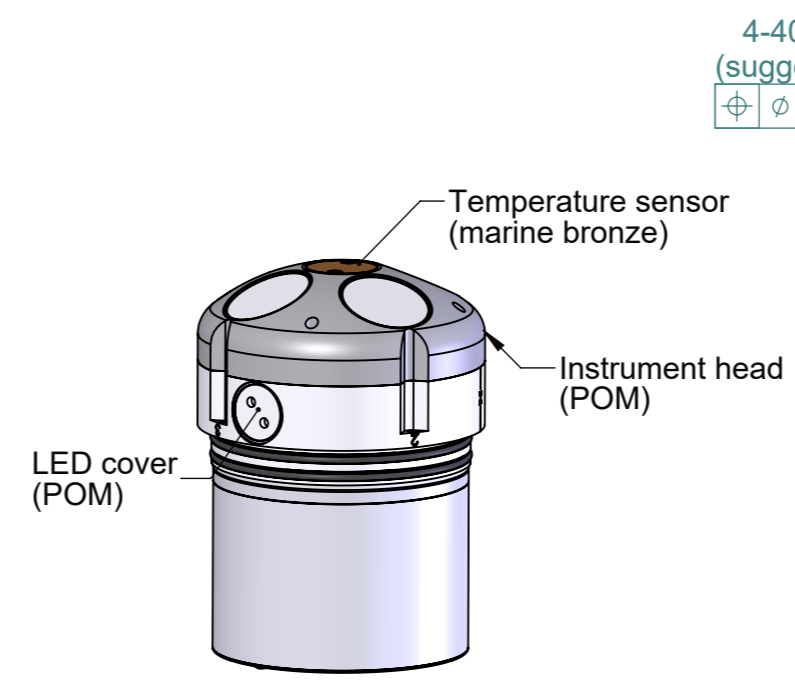
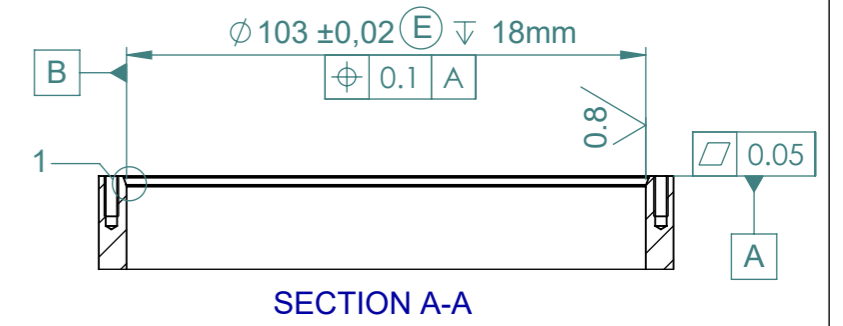
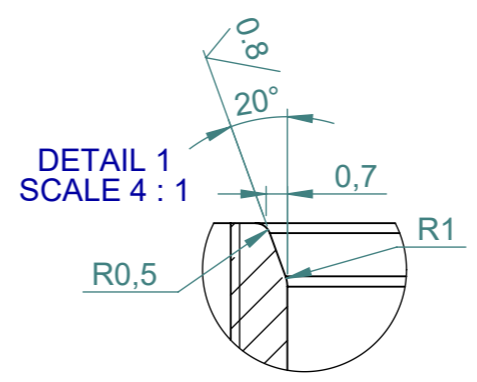


Dimensions and tolerances for mounting:



Weight in air: 2500g
 O-rings: 94x3,0 NBR90
 Screws: Titanium 4-40 UNC

Title: DVL 1000/Compact 500, 6000m, Gen3, OEM	
File Name: GA0065	Rev: 1
Date: 12.09.2023	Dimensions are in millimeters Copyright Nortek AS



General Arrangement Drawing