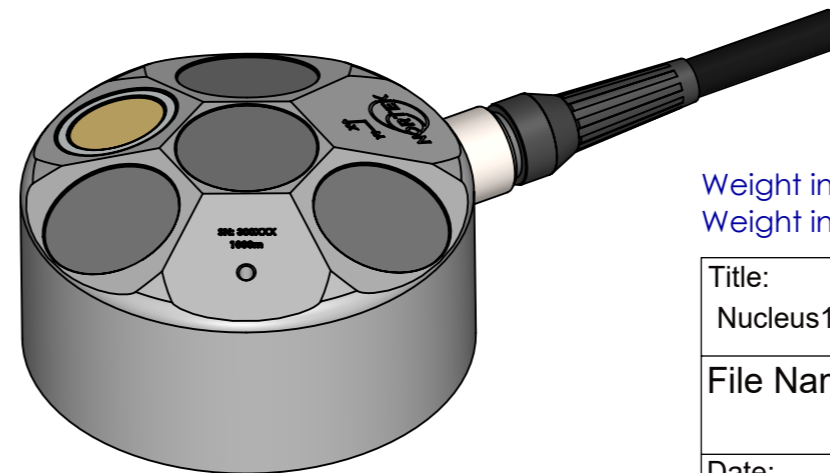


Cable properties:

Outer diameter: 7.75mm
 Min. bend radius: 76mm
 Jacket material: Black polyurethane
 Conductors: 26 AWG Stranded Tinned Copper
 Isolation: Polypropylene

Open ended cable				
Pair	Color RevA	Color RevB	RS422	RS232
1	White	Red	TX+	TX+
	Orange	Orange	TX-	TX-
2	White	Yellow	RX+	RX+
	Green	Green	RX-	RX-
3	White	Tan	TRIGA	TRIGA
	Black	Pink	TRIGB	TRIGB
4	White	Violet	TXY	-
	Blue	Blue	TXZ	TX232
5	White	White	RXB	RX232
	Brown	Brown	RXA	-
6	Black	Black	Power -	Power -
	Red	Grey	Power +	Power +

Subconn				
Pin	Ethernet+ trigger	Ethernet+ RS232	RS422+ trigger	RS232+ trigger
1	Power -	Power -	Power -	Power -
2	Power +	Power +	Power +	Power +
3	Ethernet Rx-	Ethernet Rx-	TXZ	TX232
4	Ethernet Rx+	Ethernet Rx+	TXY	-
5	Ethernet Tx-	Ethernet Tx-	RXA	RX232
6	Ethernet Tx+	Ethernet Tx+	RXB	-
7	TRIGA	TX232	TRIGA	TRIGA
8	TRIGB	RX232	TRIGB	TRIGB



Weight in air: 690g
 Weight in water: 415g

External materials:

- Titanium grade 5/2
- Polyurethane
- PMMA
- Epoxy
- Nickel Aluminum Bronze



General Arrangement Drawing

Title: Nucleus1000, 1000m	
File Name: GA0058	Rev: 1
Date: 12.06.2024	Dimensions are in millimeters Copyright Nortek AS