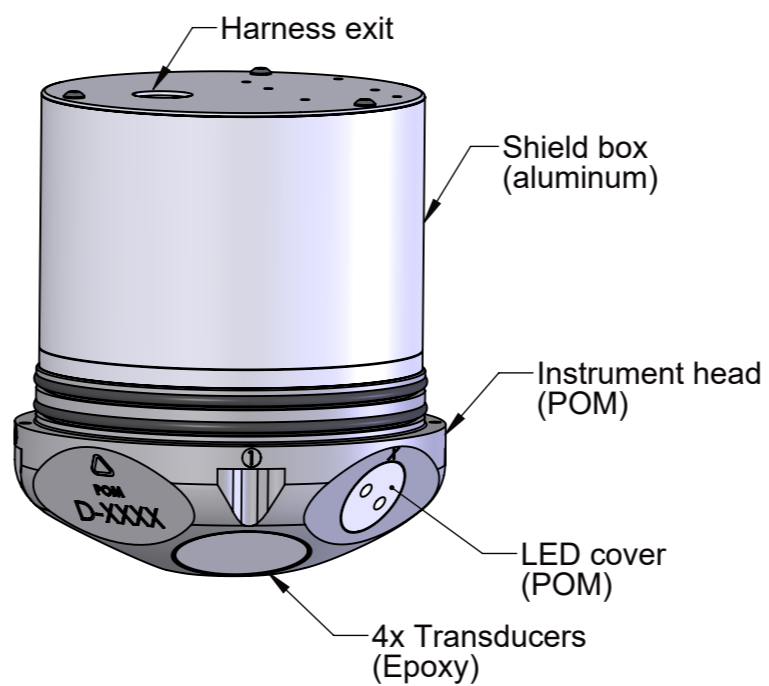
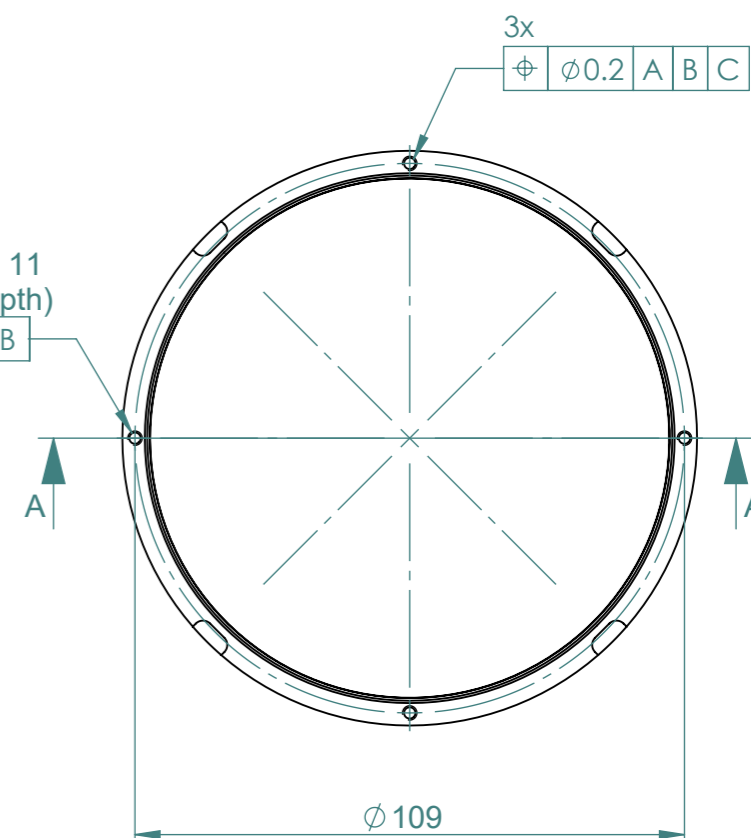
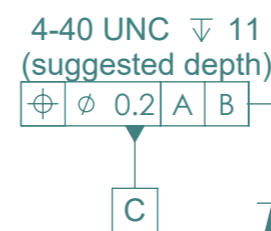
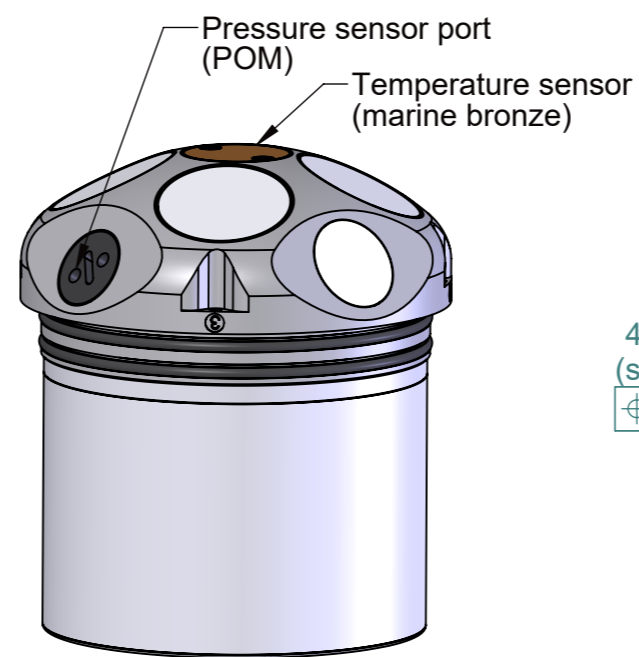
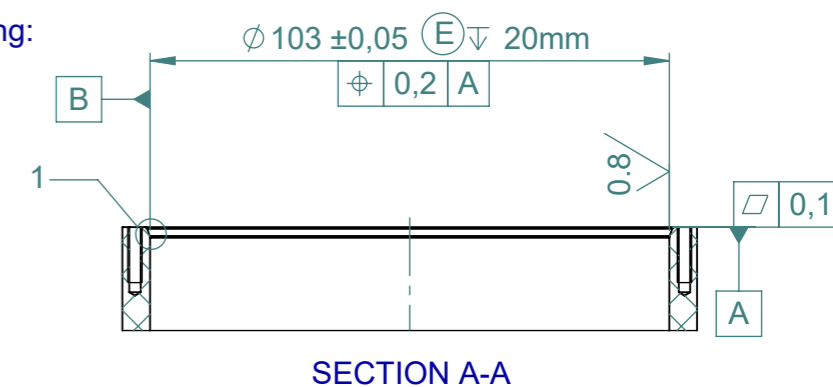
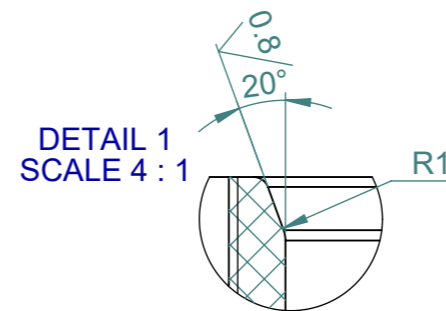


Dimensions and tolerances for mounting:



Weight in air: 1100g

O-rings: 94x3,0 NBR70
Screws: Titanium 4-40 UNC



General Arrangement Drawing

Title: DVL 1000/Compact 500, 300m, Gen3, OEM	
File Name: GA0056	Rev: 1
Date: 12.09.2023	Dimensions are in millimeters Copyright Nortek AS