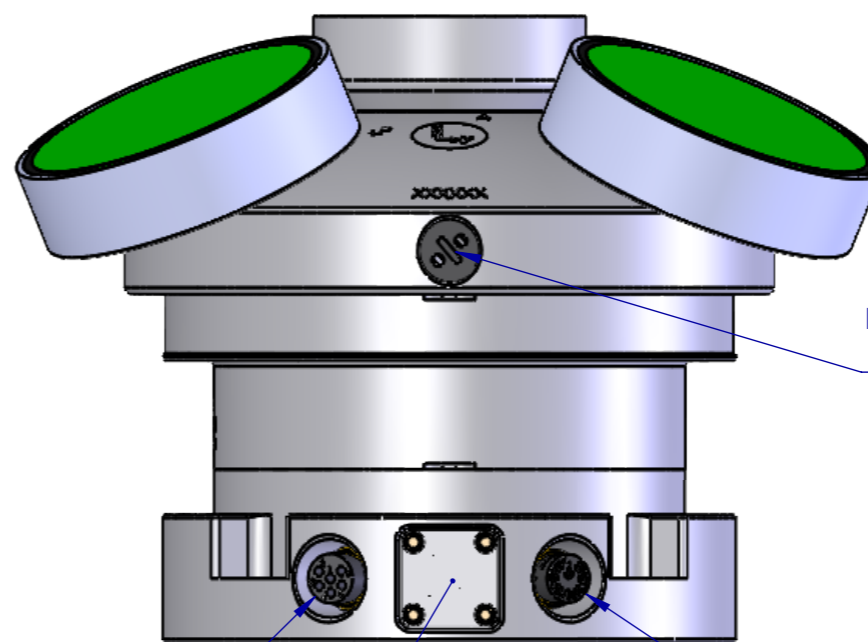


Connectors out back (x negative)

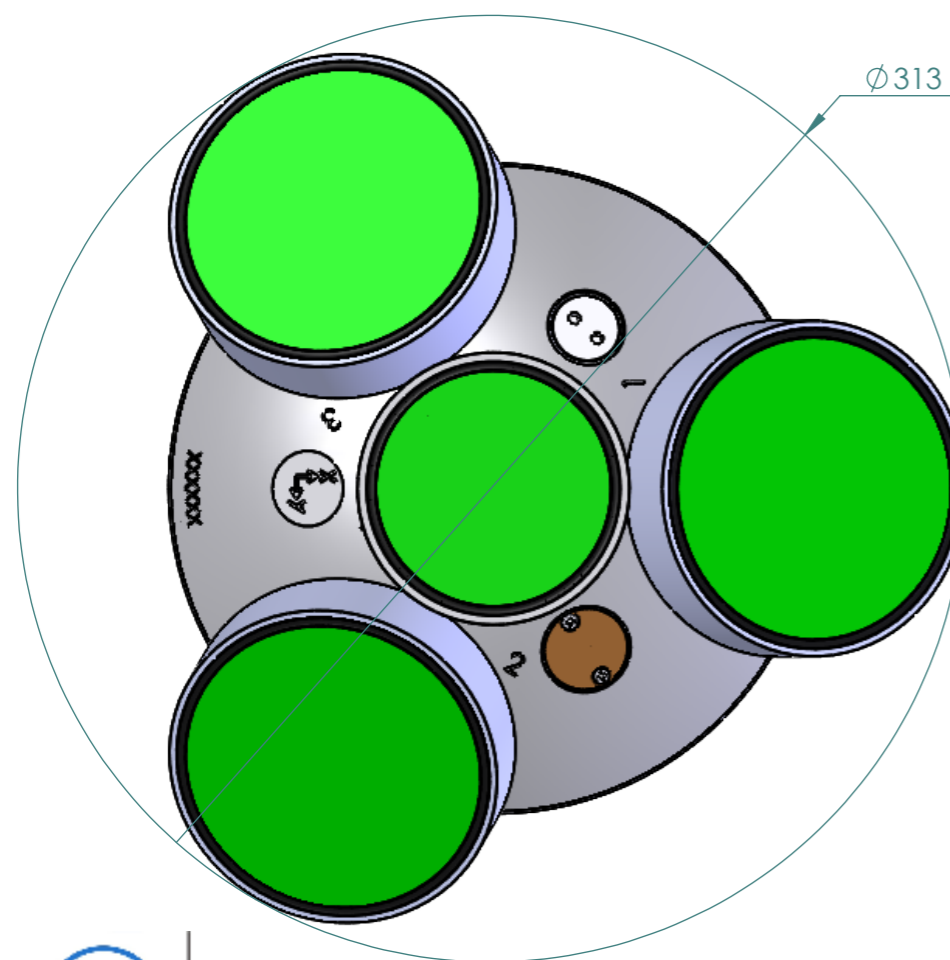


Pressure sensor Cover (POM)

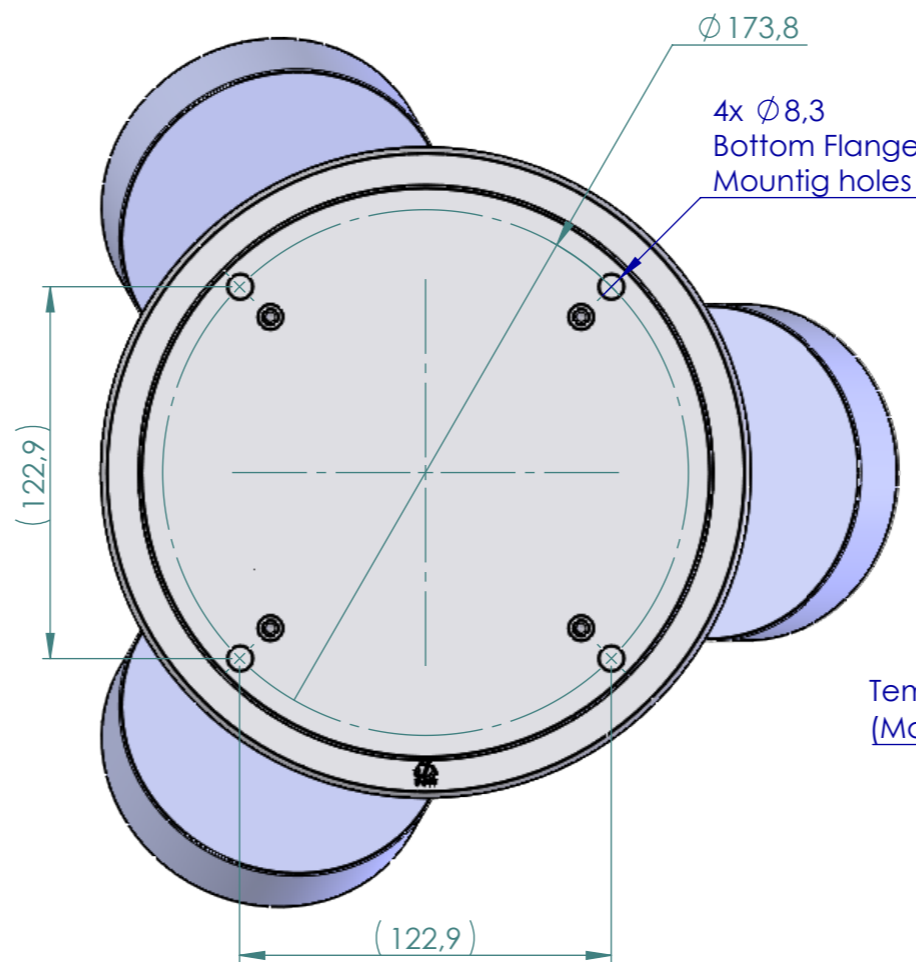
MCBH 6 pin (Ethernet)

Standard: MCBH 8 pin (Serial)
Optional: MCBH 2 pin (external battery)

Standard: Blind plug
Optional: Sauriou 7 pin (Serial)



Ø313

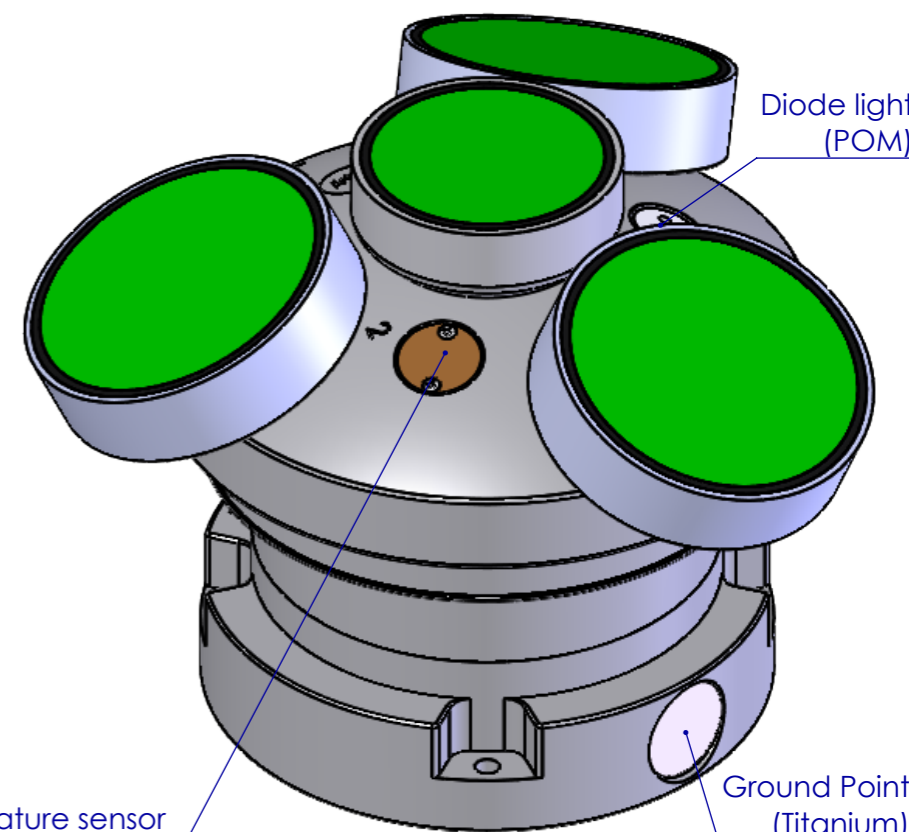


Ø173,8

4x Ø8,3
Bottom Flange
Mounting holes

(122,9)

(122,9)



Diode light (POM)

Temperature sensor (Marine Bronze)

Ground Point (Titanium)

Weight in Air:
Weight in water:

6.9 kg
1.6 kg



General Arrangement Drawing

Title: AWAC 2, 400 kHz		Rev: 1
File Name:	GA0049	
Date:	29.04.2024	Dimensions are in millimeters Copyright Nortek AS