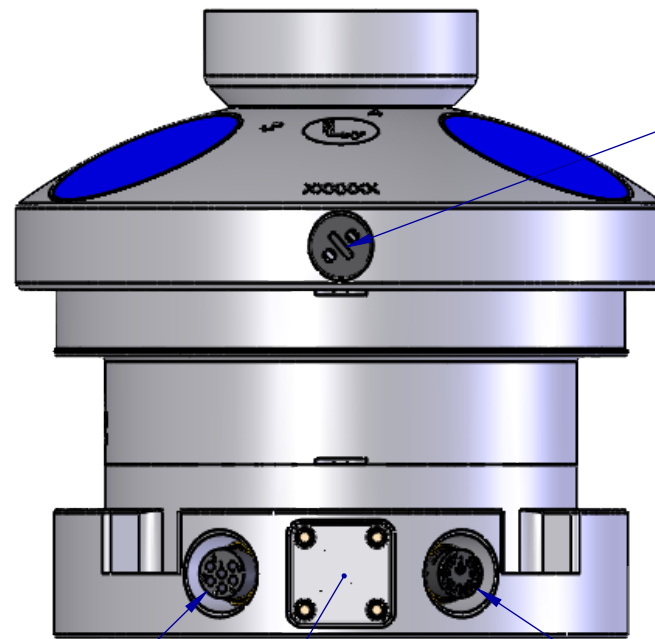


Connectors out back (x negative)

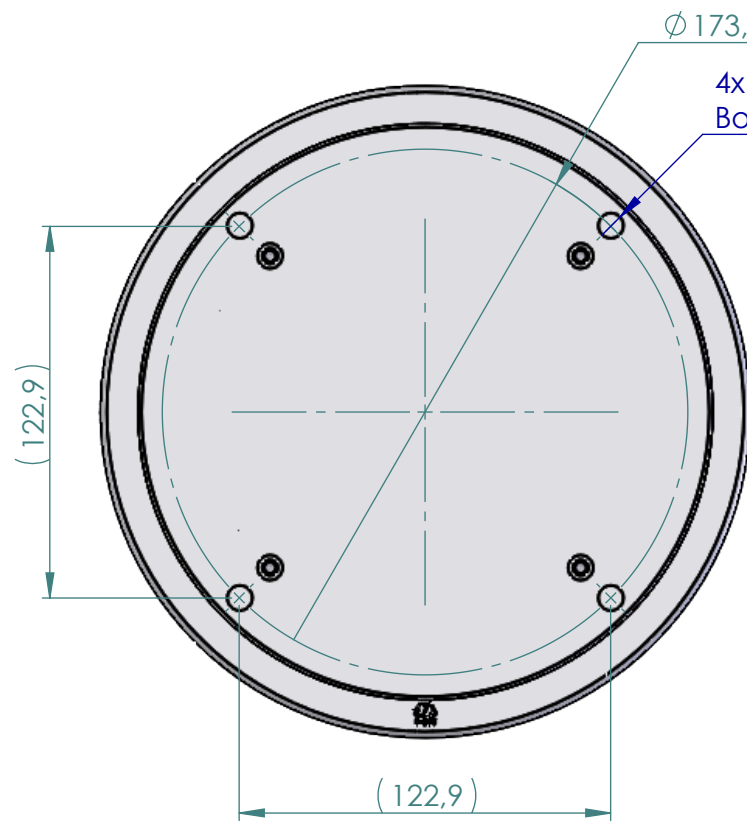
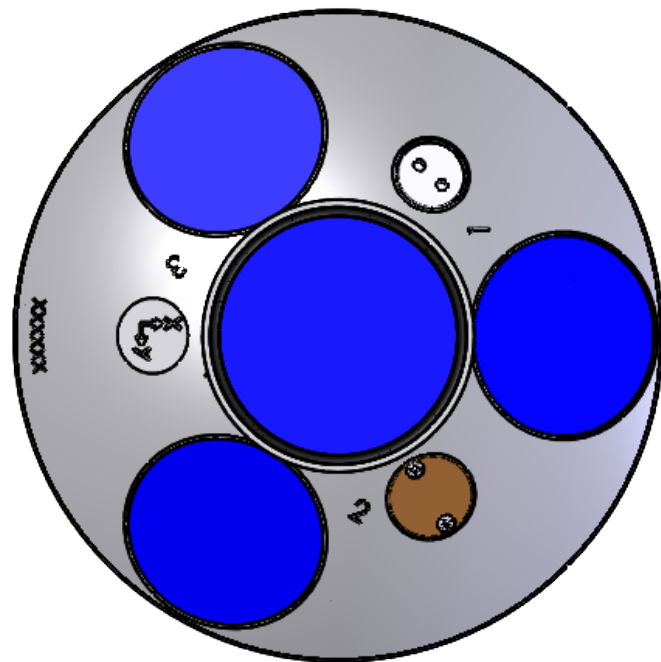


Pressure sensor Cover (POM)

Standard: MCBH 8 pin (Serial)
Optional: MCBH 2 pin (external battery)

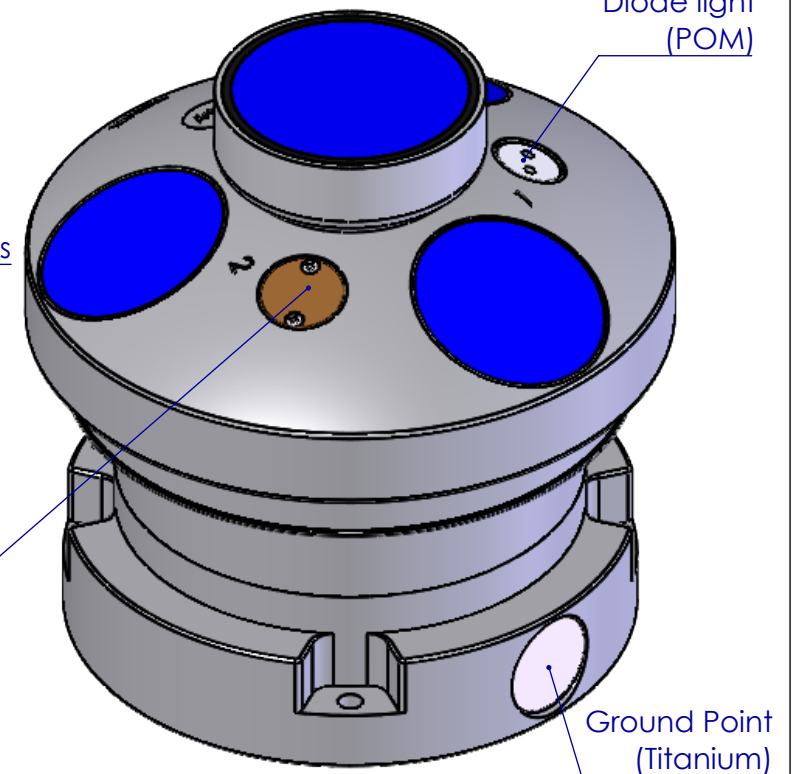
MCBH 6 pin (Ethernet)

Standard: Blind plug
Optional: Sauriou 7 pin (Serial)



4x $\phi 8,3$
Bottom Flange Mounting holes

Temperature sensor (Marine Bronze)



Diode light (POM)

Ground Point (Titanium)

Weight in Air: 5.7 kg
Weight in water: 1.1 kg



General Arrangement Drawing

Title: AWAC 2, 600 kHz		Rev: 1
File Name:	GA0048	
Date:	29.04.2024	Dimensions are in millimeters Copyright Nortek AS