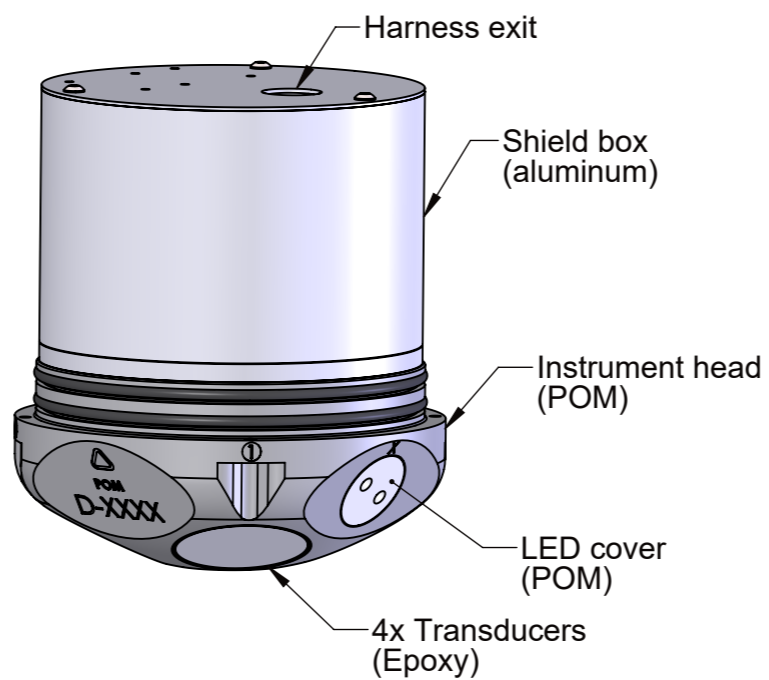
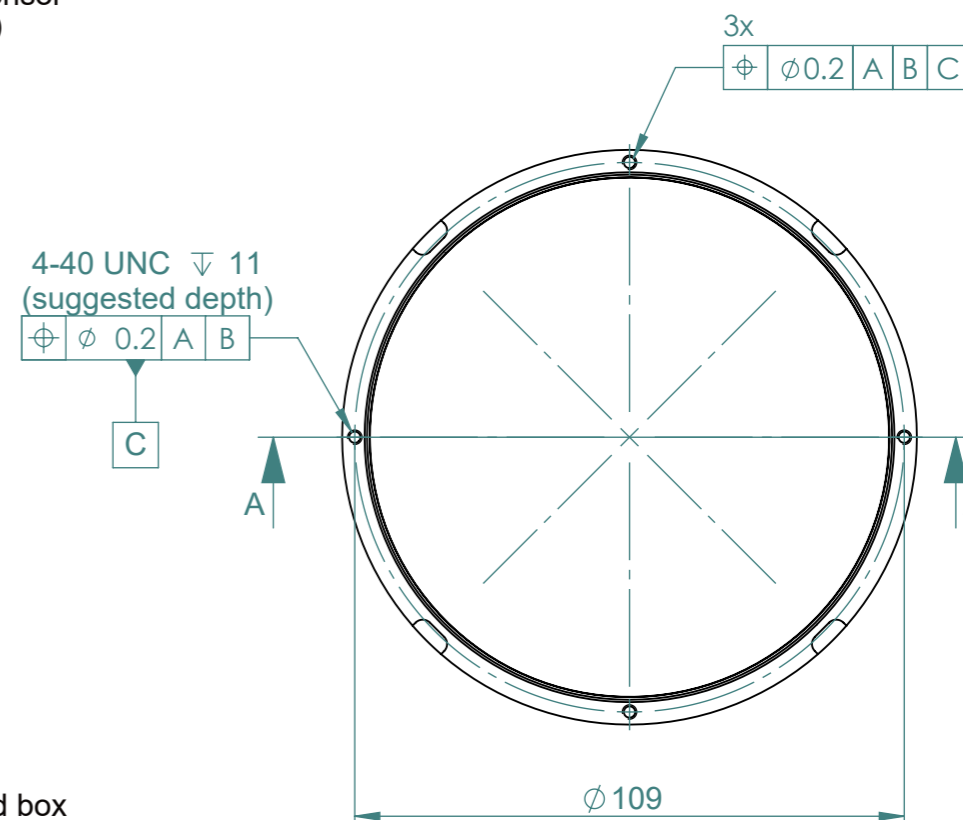
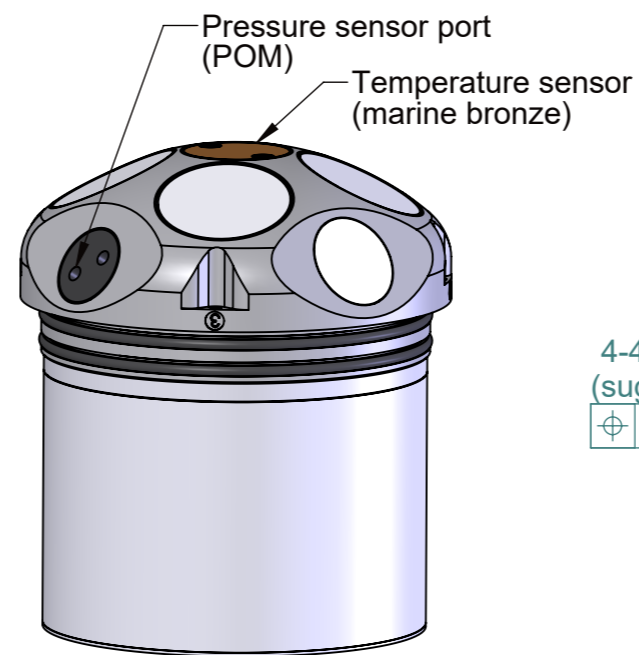
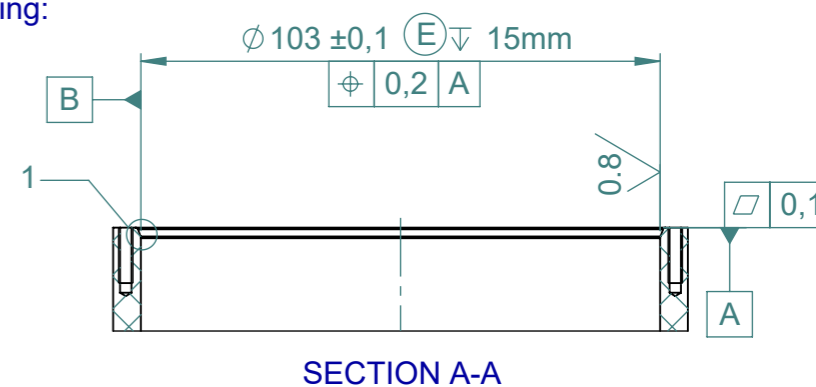
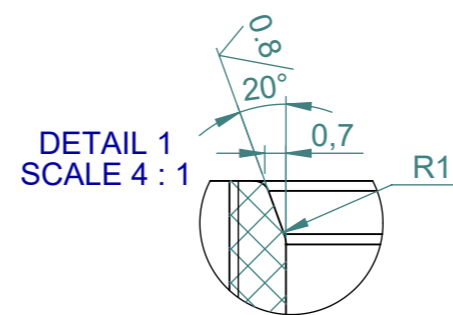


General Arrangement Drawing

Dimensions and tolerances for mounting:



Weight in air: 1100g

O-rings: 94x3,0 NBR70
Screws: Titanium 4-40 UNC

Title: DVL 1000kHz, Ø35, 300m, OEM, Mk4, GA	
File Name: GA0027	Rev: 1
Date: 24.11.2023	Dimensions are in millimeters Copyright Nortek AS