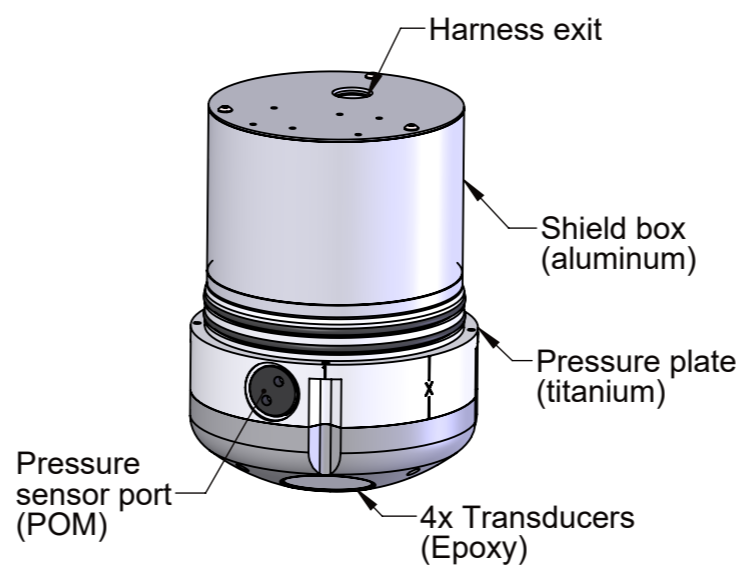
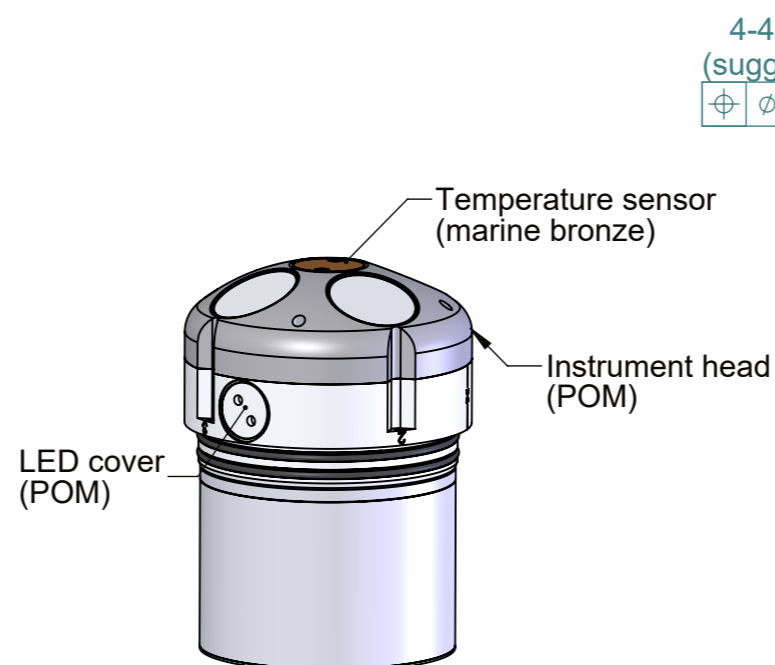
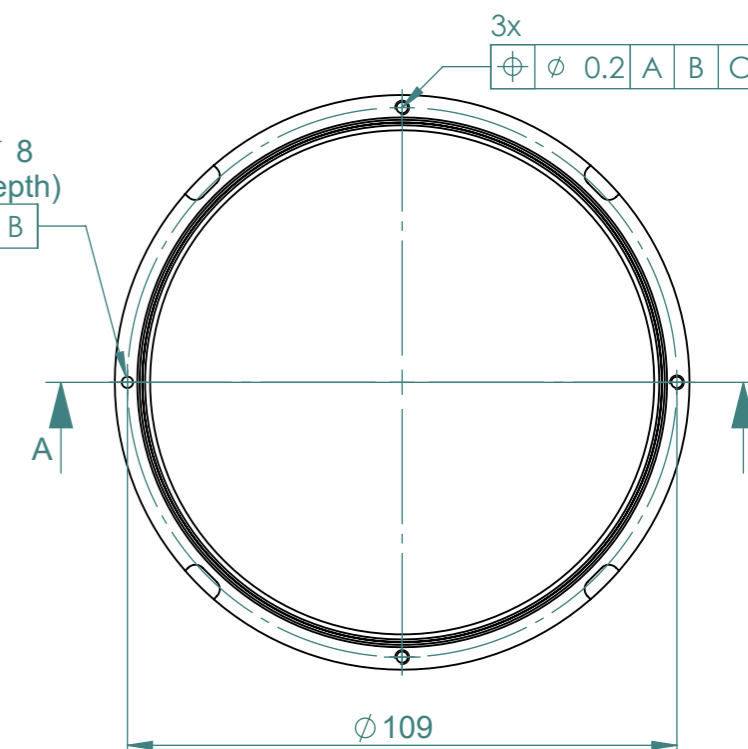
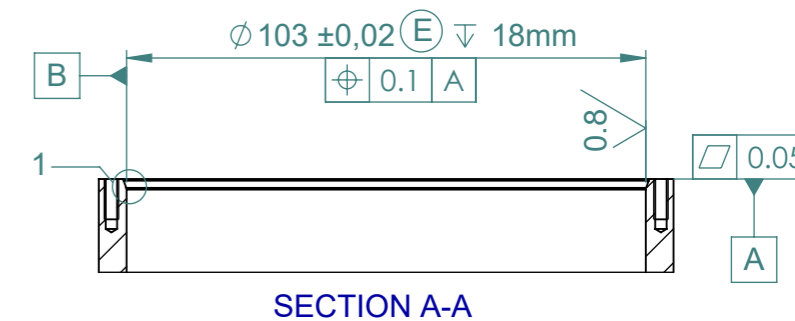
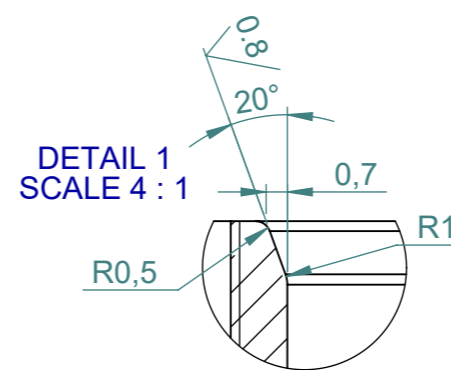


Dimensions and tolerances for mounting:



Weight in air: 2500g

O-rings: 94x3,0 NBR90
Screws: Titanium 4-40 UNC

| | |
|---|--|
| Title: DVL 1000kHz, Ø35, 6000m, OEM, MK4 | |
| File Name: GA0026 | Rev: 1 |
| Date: 24.11.2023 | Dimensions are in millimeters Copyright Nortek AS |



General Arrangement Drawing