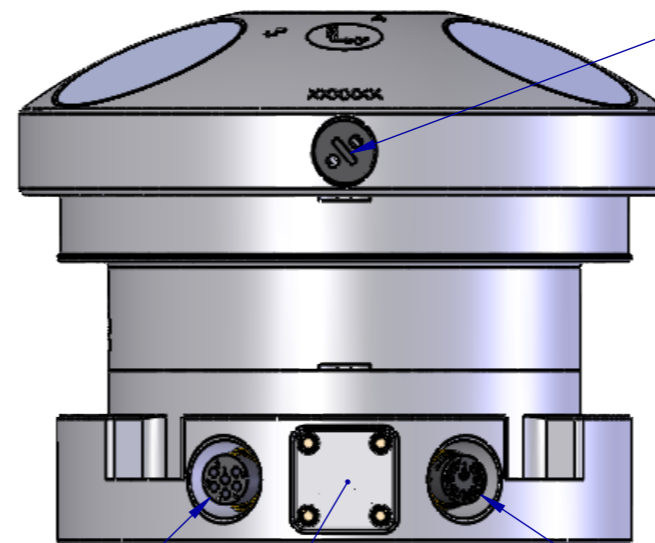


Connectors out back (x negative)

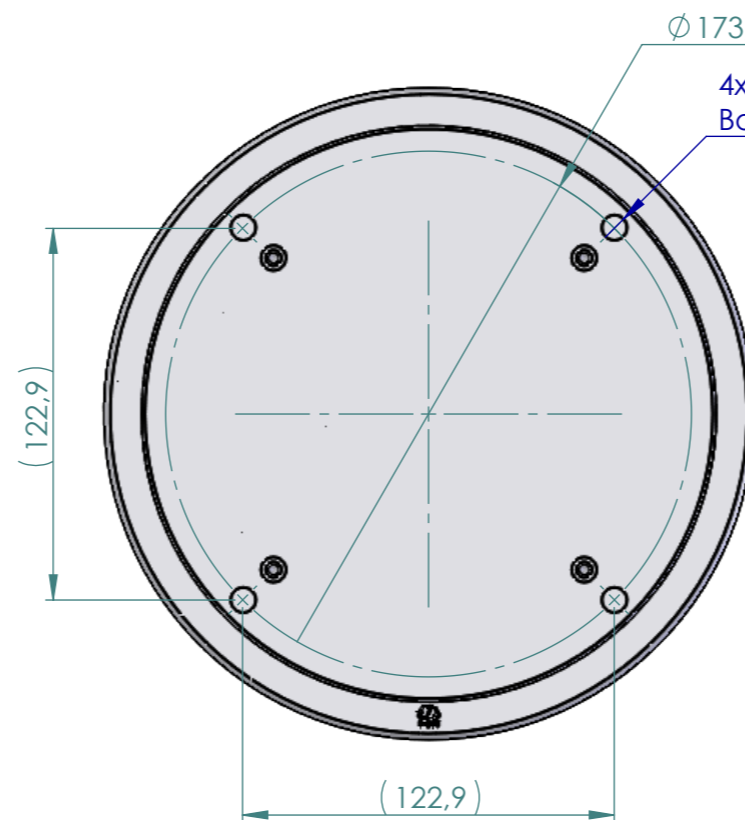
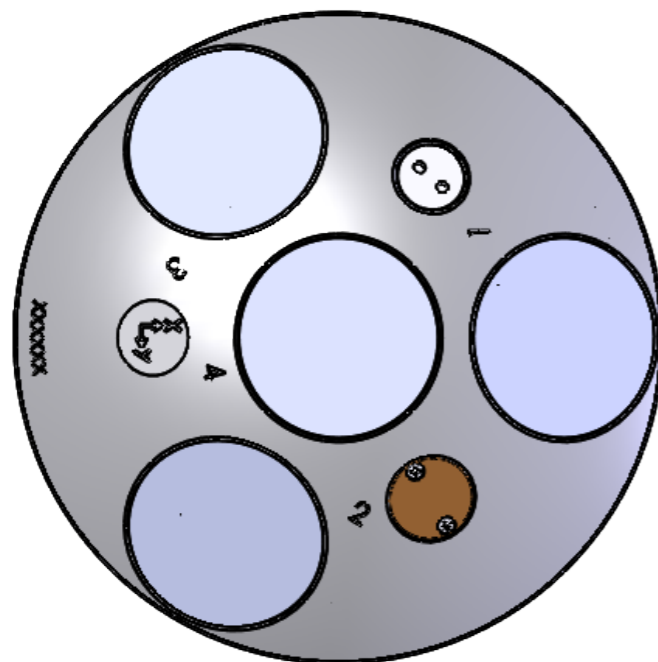
Pressure sensor Cover (POM)



MCBH 6 pin (Ethernet)

Standard: Blind plug
Optional: Sauriou 7 pin (Serial)

Standard: MCBH 8 pin (Serial)
Optional: MCBH 2 pin (external battery)

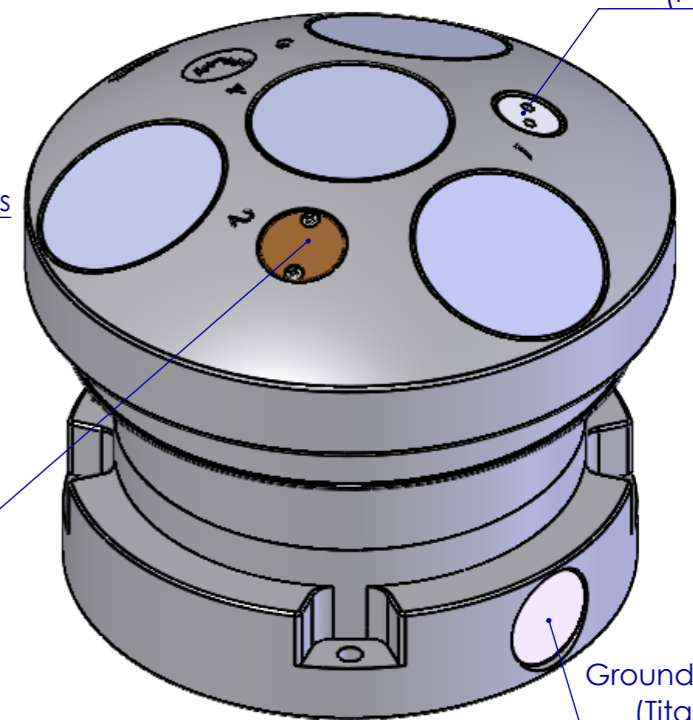


Ø 173,8

4x Ø 8,3
Bottom Flange Mounting holes

Temperature sensor (Marine Bronze)

Diode light (POM)



Ground Point (Titanium)

Weight in Air:
Weight in water:

5.4 kg
1 kg



General Arrangement Drawing

Title: AWAC 2, 1MHz		Rev: 1	
File Name: GA0021		Date: 23.04.2024	
Date: 23.04.2024		Dimensions are in millimeters Copyright Nortek AS	